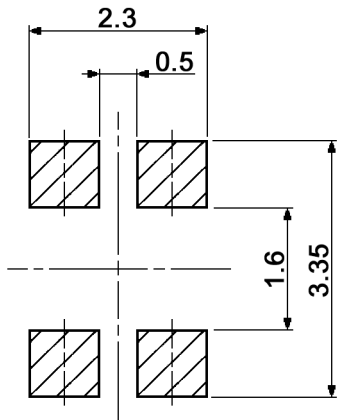
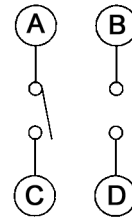


P.C.B. LAND DIMENSION \varnothing 0.05



CIRCUIT DIAGRAM



Compliance: RohS III (2015/863/EU)

Tolerances: up to 10: ±0.2mm above 10-50: ±0.3mm	Date	Name
	02/14	dr
Operating temperature	08/21	cs
Plating	07/17	dr
Specifications	04/15	dr
Modifications	Date	Name

DTS 226 Cx-T

knitter-switch

30 30 25

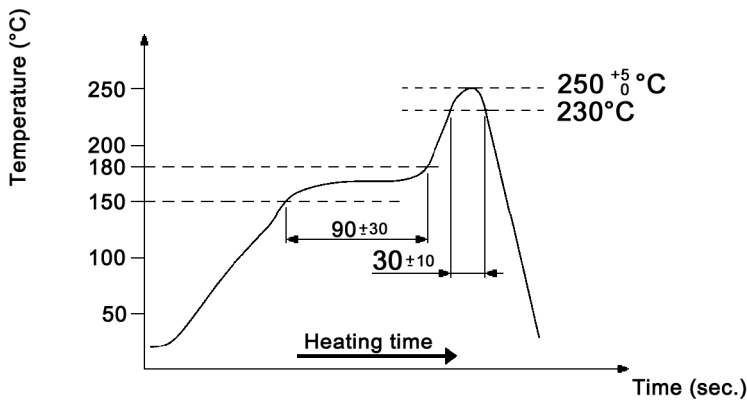
Page

1/3

Specifications:

Contact rating: max.: 10mA, 5V DC
 min.: 50µA, 3V DC
Contact resistance: 2000mOhm max.
Insulation resistance: 100MOhm min. at 100V DC for 1 minute
Dielectric strength: 100V AC (50/60Hz, 2mA) for 1 minute
Operating temperature: -40°C to +85°C
Mechanical life: 50 000 cycles
Operating force: 0.25N (26gf) max.
Material: Spring / frame: stainless steel, natural
 Contact / terminal: phosphor bronze
 Case / slider: LCP, grey

Soldering conditions:

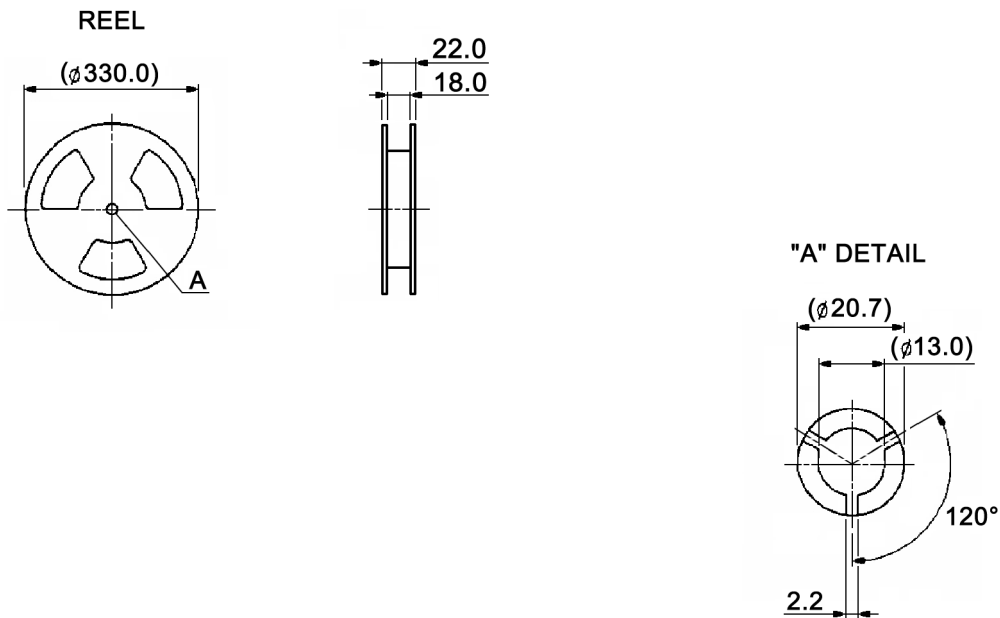


x	Contact surface
(empty)	silver plated
B	0.075µm gold plated

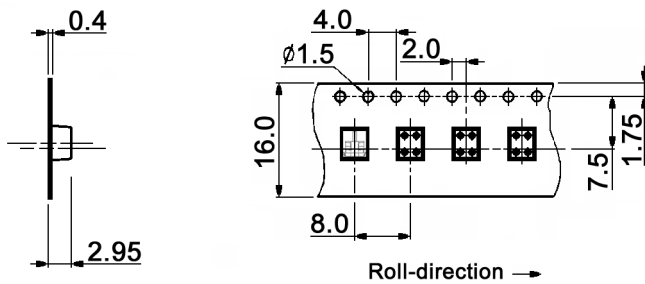
Compliance: RohS III (2015/863/EU)

Tolerances: up to 10: ±0.2mm above 10-50: ±0.3mm		Date	Name	<h1>DTS 226 Cx-T</h1>
		02/14	dr	
Operating temperature	08/21	cs	knitter-switch	<h2>30 30 25</h2>
Plating	07/17	dr		
Specifications	04/15	dr		
Modifications	Date	Name		Page 2/3

Packaging:



CARRIER TAPE



COVER TAPE



Packaging unit: 3 000 pcs. / reel
 Compliance: RohS III (2015/863/EU)

Tolerances: up to 10: ±0.2mm above 10-50: ±0.3mm	Date	Name
	02/14	dr
Operating temperature	08/21	cs
Plating	07/17	dr
Specifications	04/15	dr
Modifications	Date	Name

DTS 226 Cx-T

knitter-switch

30 30 25

Page

3/3